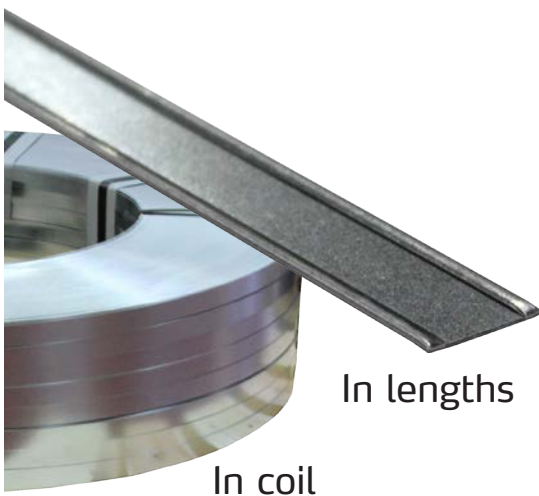
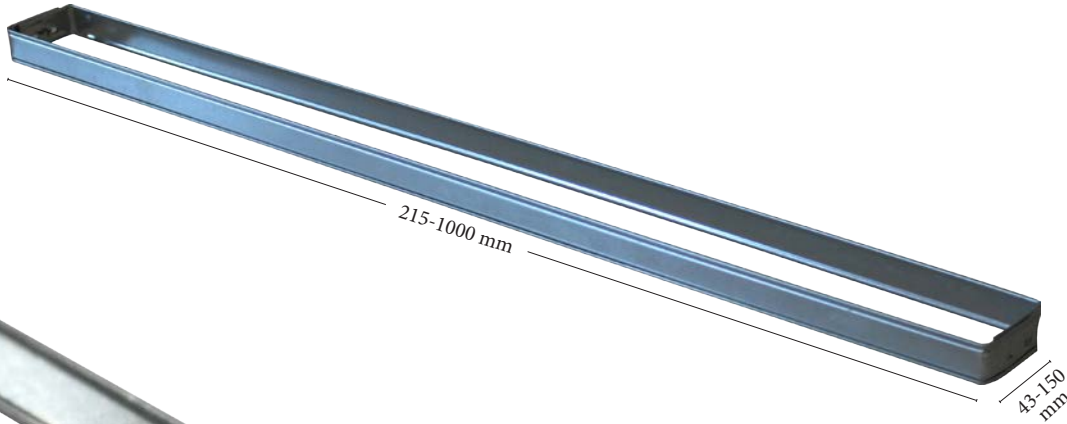
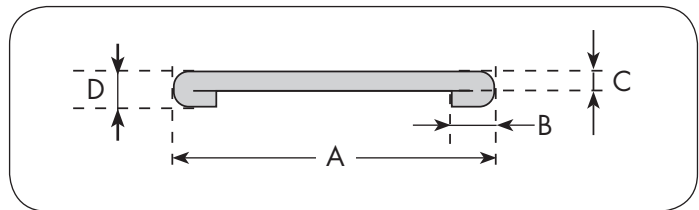


Inner frames

Profiles for both glass fibre and synthetic filter media



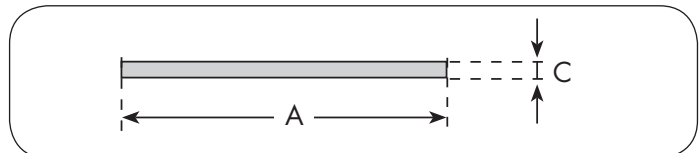
Bag holder strips



Bag holder strip, galvanized

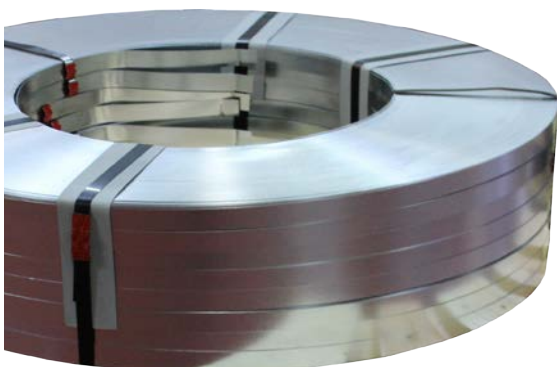
Art.no.	A	B	C	D	Weight/m	Strips/pallet
50060	20	2,7	0,5	1,5	98 g	10000
50070	15	2,7	0,5	1,5	79 g	11000

Raw material for Anders



Steel strip, galvanized

Art.no.	A	C	Weight/m	Strips/pallet
25005	25	0,5	98 g	ca 1000
20005	20	0,5	79 g	ca 1000



SM Johannesson AB
 Box 121, SE-334 22 Anderstorp, Sweden
 Tel +46 371 58 87 00, Fax +46 371 58 87 01
 www.smj.se, e-mail: info@smj.se